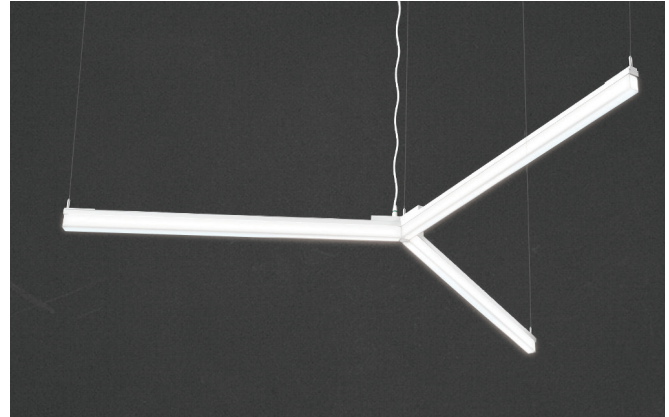


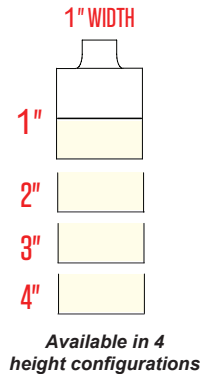
FOM Slim Flux

PRECONFIGURED Y

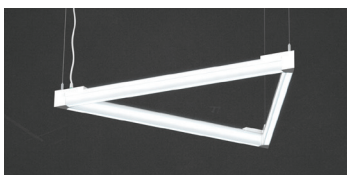


Barbican's FOM Slim is our minimal take on the popular FOM linear series of products. The FOM Slim delivers performance lighting with a unique visual aesthetic, while maintaining low glare.

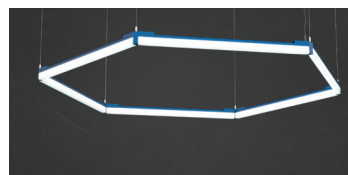
Triangular shapes allow the introduction of geometry to your space in a form that's a little outside the box - and with a modern, luminous design.. The minimal size of the FOM Slim adds an almost weightlessness to the installation while delivering all the light needed in a visually comfortable way.



AVAILABLE CONFIGURATIONS / ADAPTORS / ACCESSORIES



Preconfigured Triangle w/Acoustic



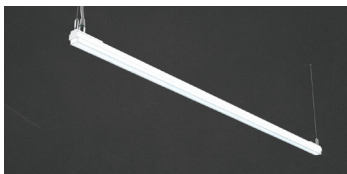
Preconfigured Hex



Preconfigured Square/Rectangle



Pendant / Linear Array



1"w x 1"h



1"w x 2"h



1"w x 3"h



1"w x 4"h

AVAILABLE FINISH OPTIONS

Metal



Barbican Lighting - HQ
479 Central Avenue
Fort Erie, ON, CA, L2A 3T9

Barbican Lighting - USA
266 Elmwood Avenue, Unit #386
Buffalo, NY, 14222

www.barbican.ca | 1.800.663.5781 | sales@barbican.ca

FOM Slim Flux

PRECONFIGURED Y



SPECIFICATION

Fixture	Width	Height	Section Length	Mounting	Driver Location
27-PCY	1W			ACM	
27-PCY FOM Slim FLUX	1W 1"	1H 1" 2H 2" 3H 3" 4H 4" CUSH Custom height Consult factory	24L 24" 36L 36" 48L 48" 72L 72" CUSL Custom length For overall dimensions of Triangle see line drawings on page 8.	ACM Aircraft Cable	SRDL Surface Rectangular Canopy SEDL Surface Rectangular Side Entry RADL Remote Acoustic Ceiling RHDL Remote Hard Ceiling ADDL ACT Remote Driver FCDL Flush Ceiling

Voltage	Canopy Finish	End Cap/Body Finish	Power Cable Finish	Color Temperature	Color Rendering
UNV					90CRI
UNV 120/277 Volts Consult factory for other voltages	WCF White BCF Black	WEC White BEC Black	WPC White BPC Black	White Sources 2700K 2700K 3000K 3000K 3500K 3500K 4000K 4000K 3000FS Full Spectrum 3000K 3500FS Full Spectrum 3500K Full spectrum .95 reduced output contact factory 2765K Tunable White* 2700K - 6500K CUSK Custom CT*	RGB / RGBW Sources RGBW RGBW* 90CRI 90+ CRI Full Spectrum CRI is min 95+ R1-R15 CRI min 90+

Delivered Output	Dimming Driver
<p>White Sources Static/Tunable</p> <p>0440LM Standard 440 lm/ft (4W/ft) 0660LM Standard 660 lm/ft (6W/ft) 0880LM Standard 880 lm/ft (8W/ft) CUSLM Custom Lumen Output* 200lm/ft - 1200lm/ft; Consult factory for outputs outside of this range</p> <p>RGB / RGBW Sources</p> <p>6WO Standard 6W/ft See page 3 for efficiency, W/ft and output details</p>	<p>White Sources Static</p> <p>S010V10 Standard 0-10V, 10% S010V01 Standard 0-10V, 1%, (dim to off) EDALI01 DALI control, 0.1% LECO01 Lutron Ecosystem, 1% SOFTB, (Soft-on, Fade-to-Black)</p> <p>White Sources Tunable</p> <p>TW010V Tunable White 2-Channel 0-10V TWDALI Tunable White DALI control LECOTW Lutron Ecosystem, 1%, Tunable White – T series</p> <p>RGB / RGBW Sources</p> <p>EDMX01 DMX, 0.1% CUSDD Other Driver Options Consult factory for availability of other driver options (including POE and Camera Safe)</p>

FOM Slim Flux

PRECONFIGURED Y



WRITTEN SPECIFICATIONS

LED System

- LED Circuitry is applied to minimum 0.0625" thick aluminum extruded top plate for excellent heat management.
- LEDs are 90+CRI, 3 SDCM.
- 4 foot fixture performance at 3500K 90CRI, 3520lms, 32.00 Watts, 110LPW Delivered

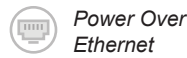
Construction

- Diffuser: 0.116" PETG (polyethylene terephthalate glycol-modified); which is a variant of PET used in water bottles everywhere. Designed to be used in environments where high levels of disinfectant products are used. It also has a much higher impact resistance than Acrylic and is available up to 10 feet in single lengths.
 - Barbican uses a proprietary diffusion formula PETG which in conjunction with the LED system provides excellent efficiencies of up to 110 lumens per watt at 3000K 90+ CRI.
- Metal construction to be aluminum minimum 0.0625" thickness. Fasteners are to be stainless steel.
- Cable grippers are nickel plated solid brass and stainless steel. Cables are 1/16" stainless steel.
- Canopies and driver housings are minimum 0.0625" aluminum.
- Cables are PVC Jacket with a PVC Free version available

Mounting

- Surface cable mounts are nickel plated solid brass and are supplied with escutcheon plates for through surface power cables. Power cables are low voltage from the canopy/remote mounted drivers.
- Drivers: All drivers are mounted remote from the fixture. Standard drivers include 0-10V 10% dimming 120/277V with Power Factor of >0.9. Barbican works with most Control and Driver manufacturers including POE and can easily modify the driver housings for special control gear. Fixtures over 96W may require more than one driver per fixture. Maximum standard length of lead is 12', longer lengths available, contact factory.
- Emergency fixtures are supplied with leads and KO for UL924 relays (by others). Battery back up will usually only drive one section in larger fixtures to maintain the 90 minute requirement. Maximum distance driver to fixture 15 feet.
- Labels: ETL US and Canada, CE Europe and Middle East (Dry, Damp indoor use only)
- Finish: Polyester Powder Coated standard, Hand Brushed Aluminum
- Lumen Maintenance: Reported L90 > 10,000hrs, Calculated > 60,000hrs (TM-21)
- Warranty: 5 years limited at 25 Celsius. Contact Barbican for additional information.
- Fixture is field repairable using factory supplied parts.
- Fixture can be returned to factory for recycling.

LABELS



FOM Slim Flux

PRECONFIGURED Y



APPLICATIONS



FOM Slim Flux

PRECONFIGURED Y



APPLICATIONS



FOM Slim Flux

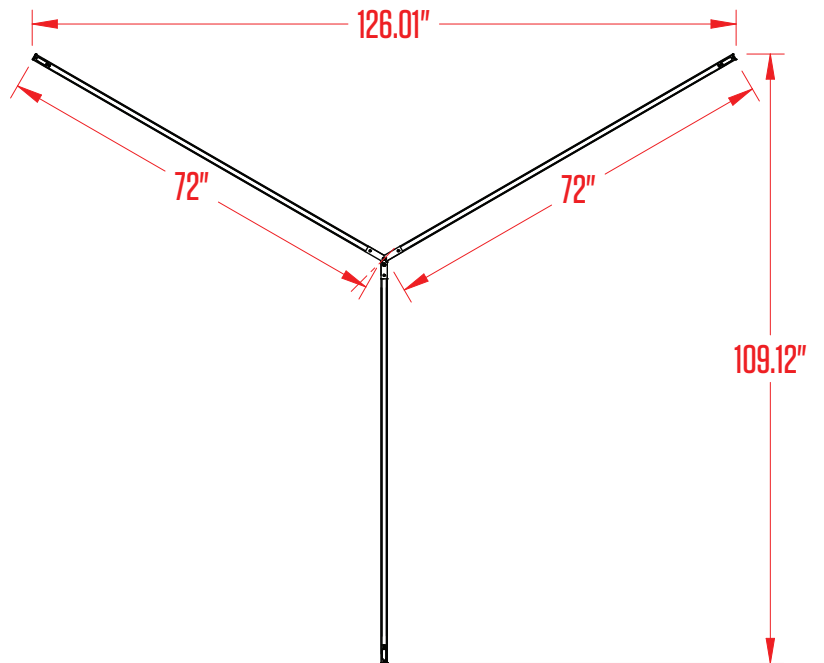
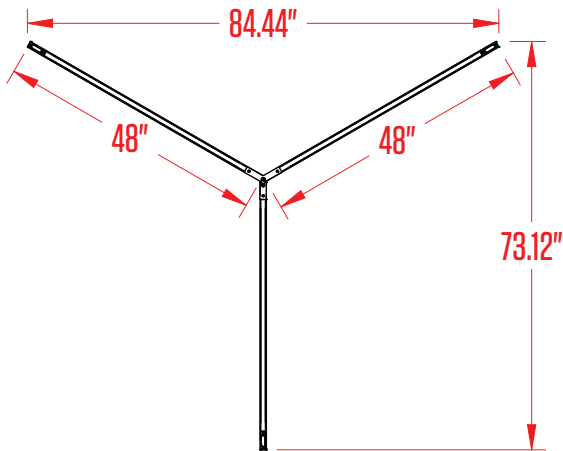
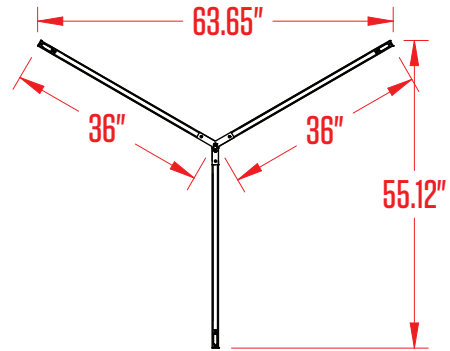
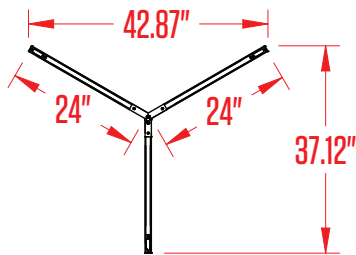
PRECONFIGURED Y



SPECIFICATION

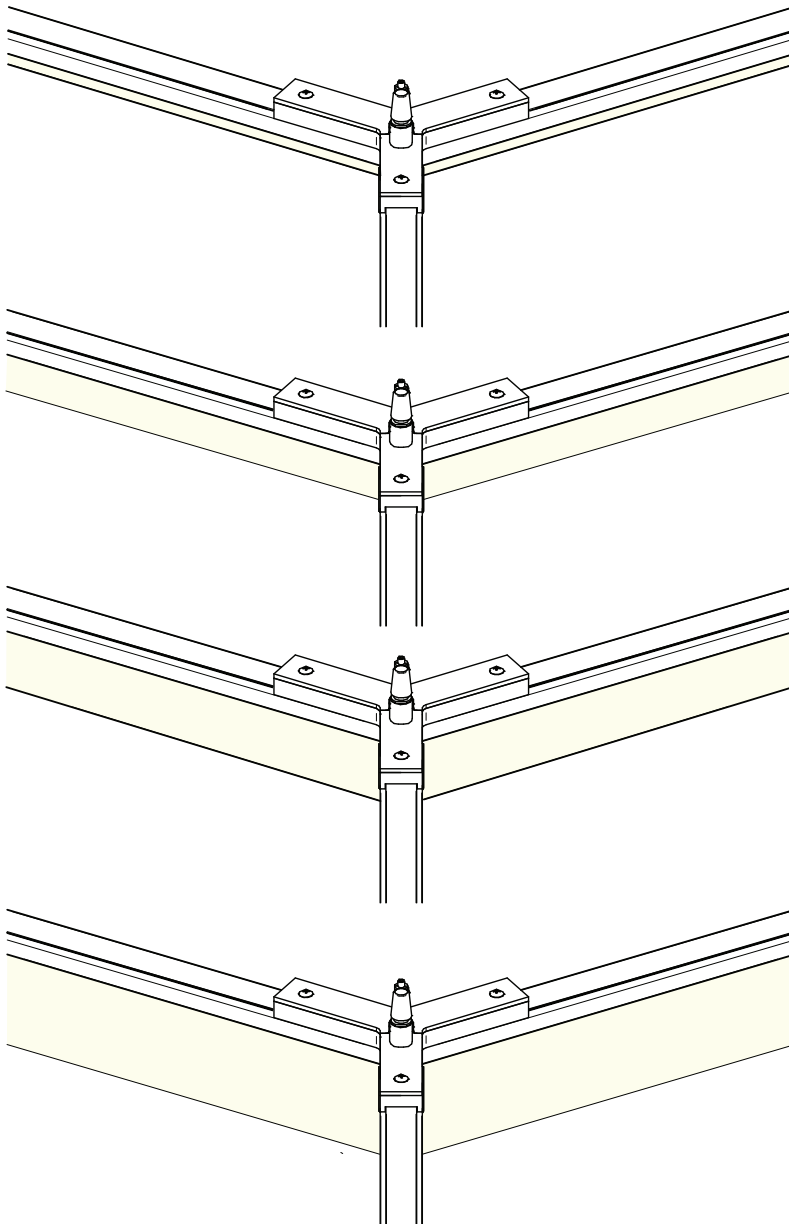
Section Length Point to Point

24L	24"	43"
36L	36"	64"
48L	48"	84"
72L	72"	126"

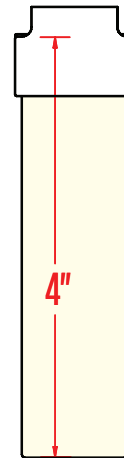
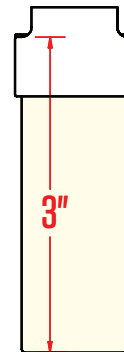
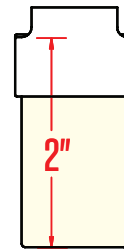
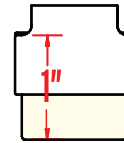


FIXTURE CONFIGURATIONS

Connector Blocks and Standard Cross Sections



1" WIDTH



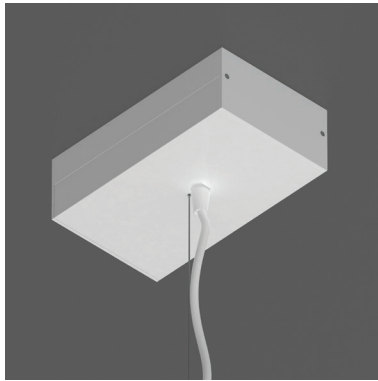
FOM Slim Flux

PRECONFIGURED Y



SPECIFICATION DETAILS (cont.)

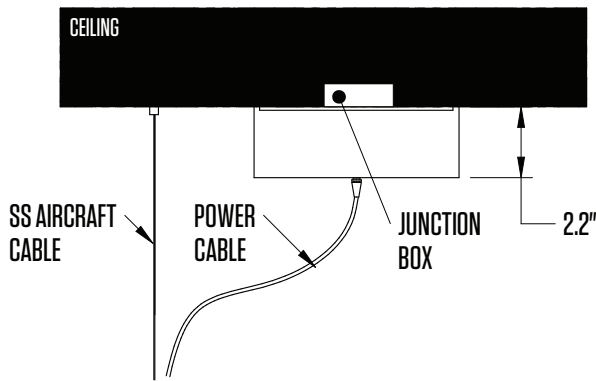
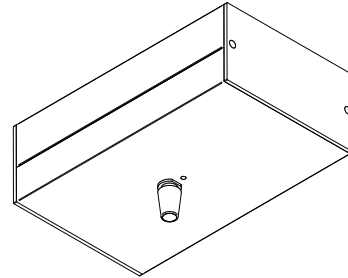
Surface Rectangular Canopy (SRDL)



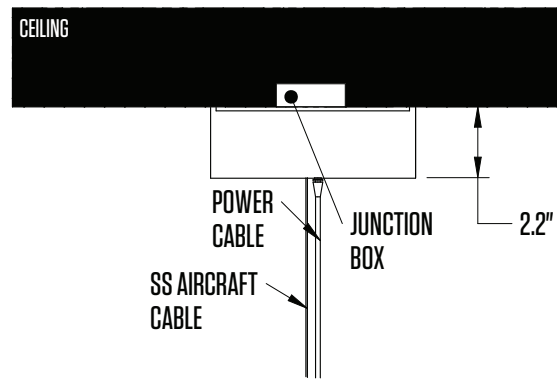
White Power Cord



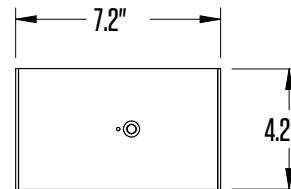
Black Power Cord



Offset Surface Ceiling Location Mounting Side View



Surface Ceiling Location Mounting Side View



Surface Ceiling Location Mounting Bottom View

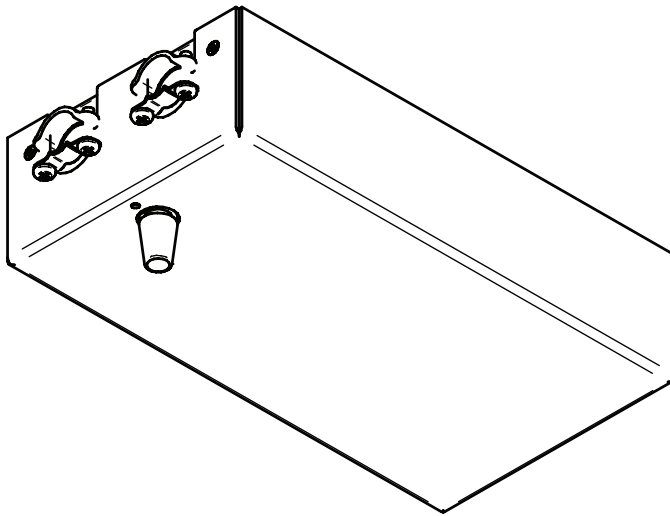
FOM Slim Flux

PRECONFIGURED Y

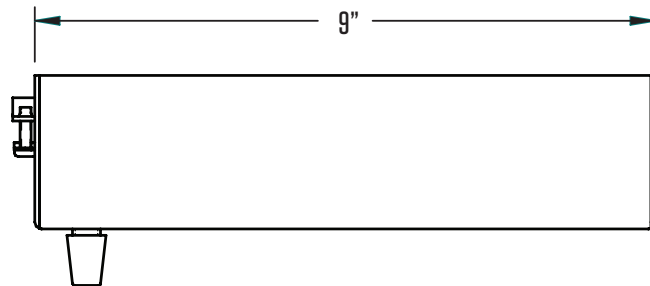
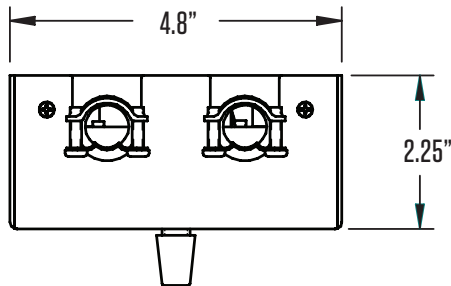


SPECIFICATION DETAILS (cont.)

Surface Canopy Side Entry (SEDL)



LINEAR CANOPY
Mounts directly to hard deck.
Side entry for BX/armored cable.



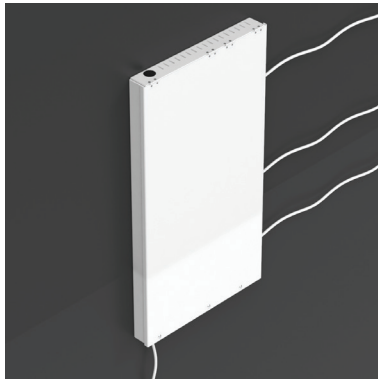
FOM Slim Flux

PRECONFIGURED Y

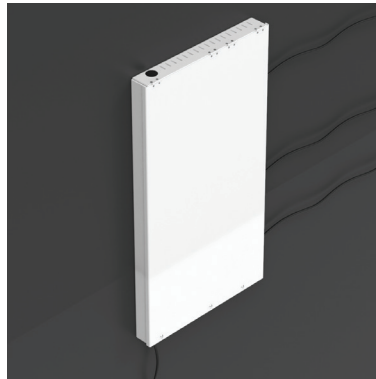


SPECIFICATION DETAILS (cont.)

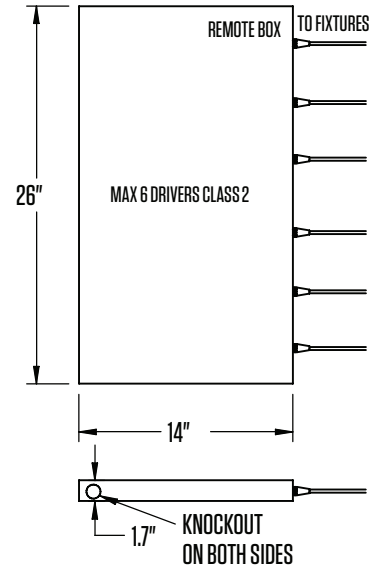
Remote Acoustic Ceiling Driver / Remote Hard Ceiling Driver (RADL / RHDL)



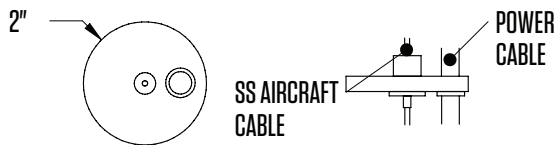
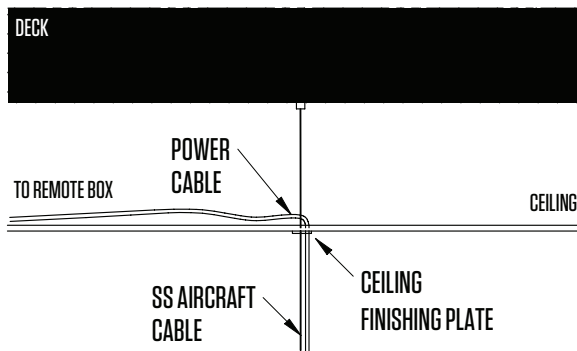
White Power Cord



Black Power Cord

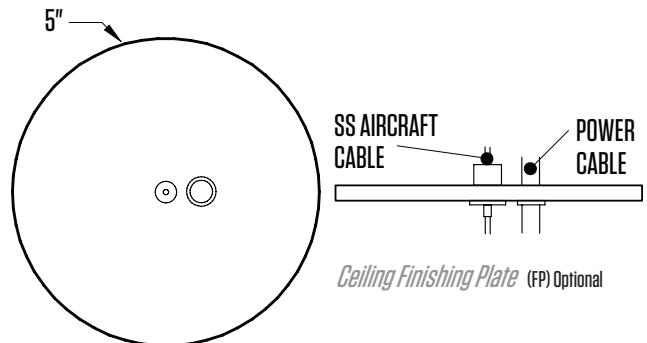
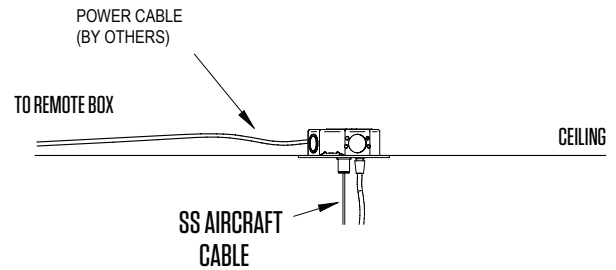


Acoustic Ceiling Power Supply Box Mounting Side View (RADL)



Ceiling Finishing Plate (FP) Optional

Solid Ceiling Power Supply Box Mounting Side View (RHDL)



Ceiling Finishing Plate (FP) Optional

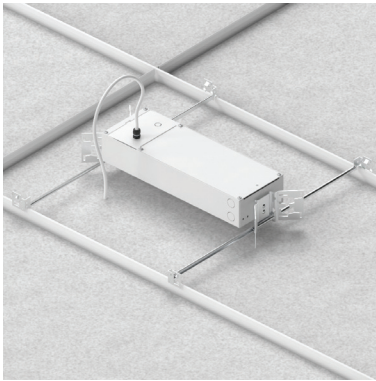
FOM Slim Flux

PRECONFIGURED Y

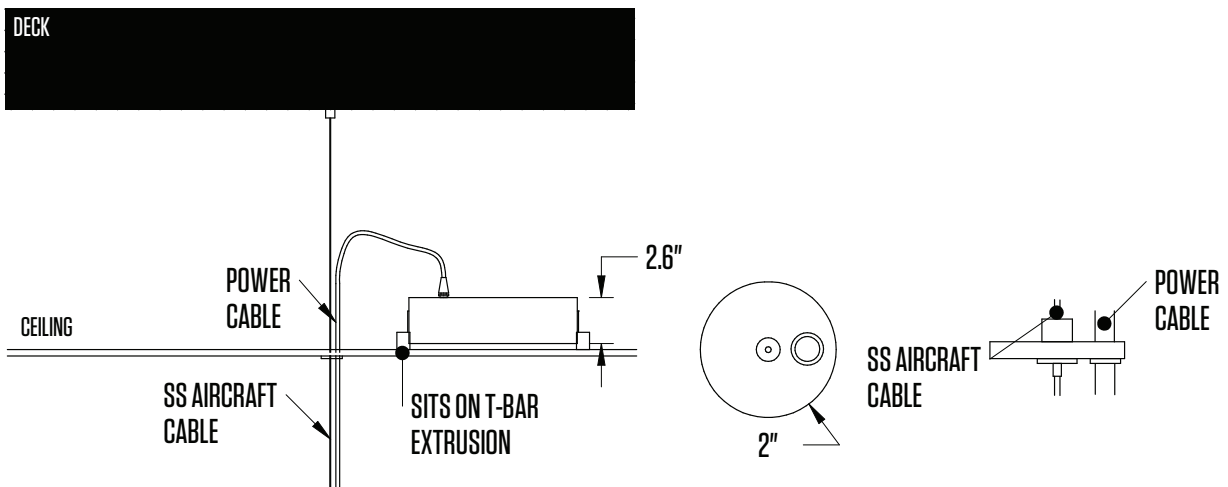
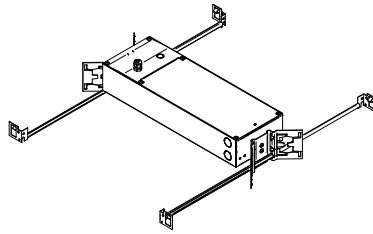


SPECIFICATION DETAILS (cont.)

ACT Remote Driver (ADDL)

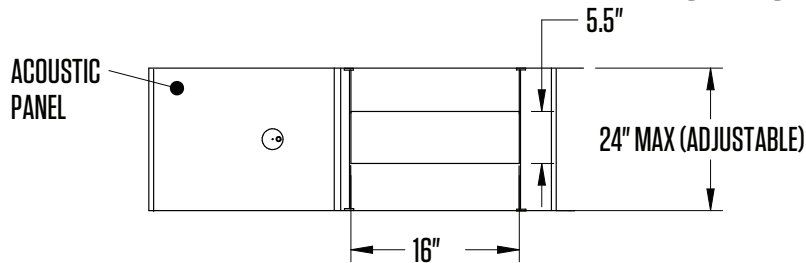


Driver Housing



Above Ceiling Location Mounting Side View

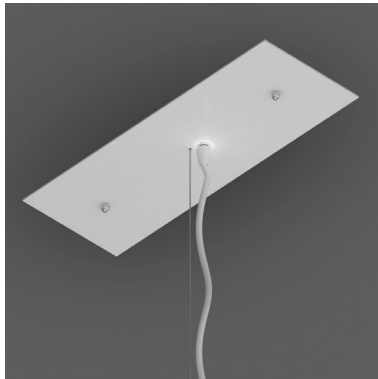
Ceiling Finishing Plate (FP) Optional



Above Ceiling Location Mounting Top View

SPECIFICATION DETAILS (cont.)

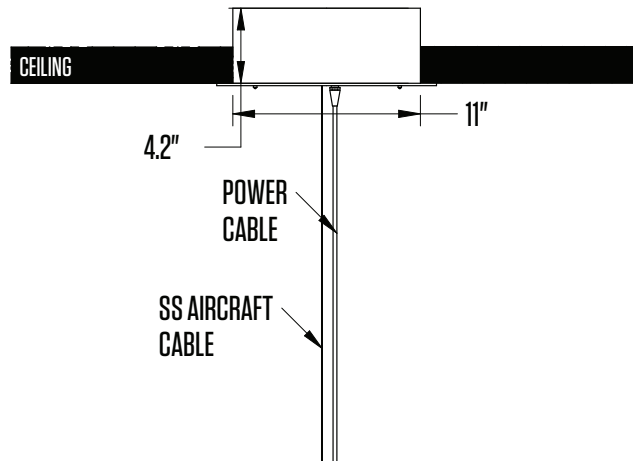
Flush Ceiling Canopy (FCDL)



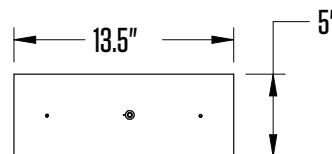
White Power Cord



Black Power Cord



Flush Ceiling Location Mounting Side View



Flush Ceiling Location Mounting Bottom View